

Date _____

Order no. _____

System layout

Type MCS20i, MCS40i & MCS80i

For Twin Heat only

No. _____ / _____

Delev. week _____

Sign. _____

Delivery Address:

Ordered By:

Address: _____

Address: _____

Phone: _____

Phone: _____

Mail: _____

Mail: _____

Freight:

Delivered

Pick up

Other

Type: MCS20i MCS40i MCS80i 1x 230V + PE 3 x 400V + N + PE

Rotag 2500 Quatro I Single Stoker Single Boiler Boiler exchange

Rotag 4500 Quatro II Connection kit 225 for Rotag/Quatro Cooling coil w. valve

Accessories: Draught stabilizer 3-way shuntvalve Extended auger channel *(250mm)

Aut. cleaning system Prepared for deashing Deashing Compressor

GSM alarm Ash transport auger 1,5m Ash transport auger 2,5m

After mounted burnertube scraber Belimo Burnertube scraber Linak*

**for MCS40i and MCS80i exclusively*

Smoke pipes:

MCS20i - Ø155 Elbow 90° w. cap - pcs. _____ Straight 500mm - pcs. _____ Wall bushing - pcs. _____

MCS40i - Ø187 Elbow 45° w. cap - pcs. _____ Piping insulation 1000mm - pcs. _____

MCS80i - Ø215

Layout of the plant:

Please decide the layout 1, 2, 3 or 4 and the placing of controller and boiler door hinges.

Layout 1

Hinges for boiler door:

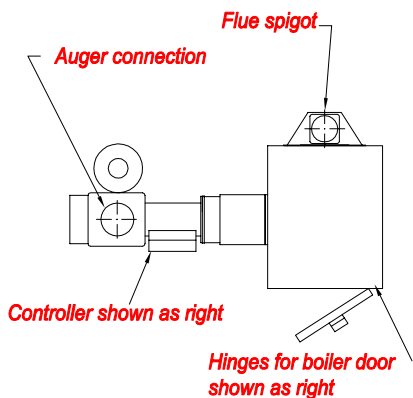
Right

Left

Controller:

Right

Left



Auger connection

Layout 2

Hinges for boiler door:

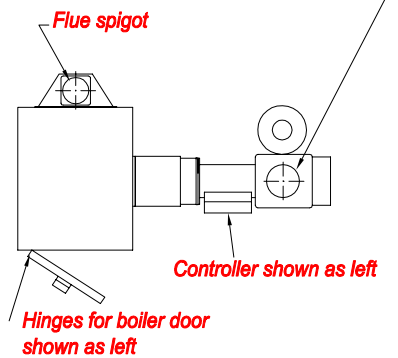
Right

Left

Controller:

Right

Left



Layout 3

Hinges for boiler door:

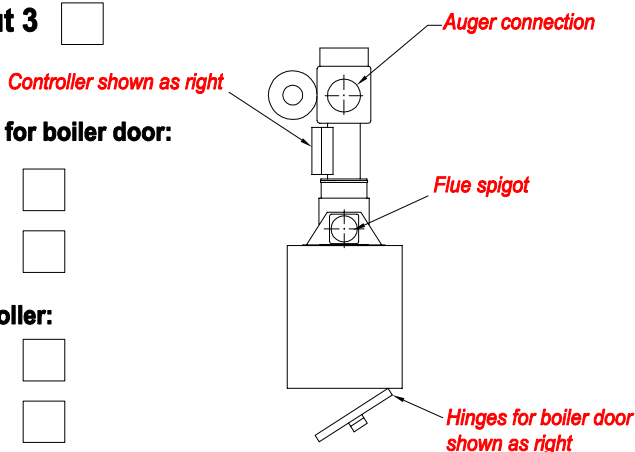
Right

Left

Controller:

Right

Left



Auger connection

Layout 4
(Stoker heating only)

Hinges for boiler door:

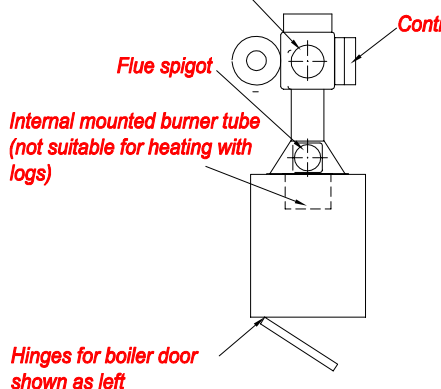
Right

Left

Controller:

Right

Left



www.twinheat.dk
twinheat@twinheat.dk

We reserve the rights to make changes Sep 2021