

Date \_\_\_\_\_

Order no. \_\_\_\_\_

# Plant layout Combi system type M 800 & 1400 L

For Twin Heat only

Nr. \_\_\_\_\_ / \_\_\_\_\_

Lev.uge \_\_\_\_\_

Sign. \_\_\_\_\_

ORDER FROM

DELIVERY ADDRESS

Please write delivery address in e-mail

Type: M20i  M40i  M80i

Fuel store: 800 L  1400 L

Electrical connection: Single phase 230V  3 phase 400V

Accessories: Draught stabilizer  3-way shuntvalve

### Layout of the plant.:

Please decide the layout 1, 2 or 3 and the placing of boiler door hinges, fuel store hinges, auger in fuelstore and augerchannel normal or long. By layout 3 also decide the placing of the controller right or left.

Boiler door hinges:

Right

Left

Auger in fuelstore:

Right

Left

Fuel store hinges pos:

1  3

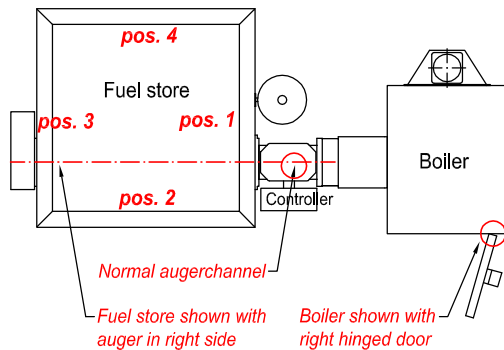
2  4

Augerchannel:

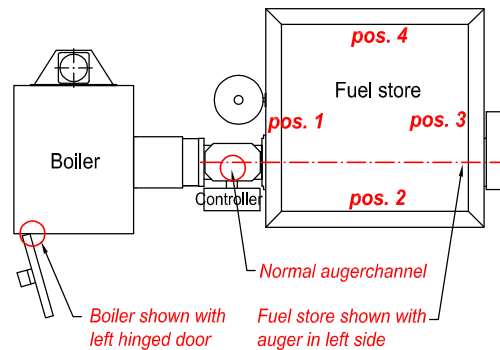
Normal

Long

Layout 1



Layout 2



Boiler door hinges:

Right

Left

Auger in fuelstore:

Right

Left

Fuel store hinges pos:

1  3

2  4

Augerchannel:

Normal

Long

Boiler door hinges:

Right

Left

Auger in fuelstore:

Right

Left

Controller:

Right

Left

Fuel store hinges pos:

1  3

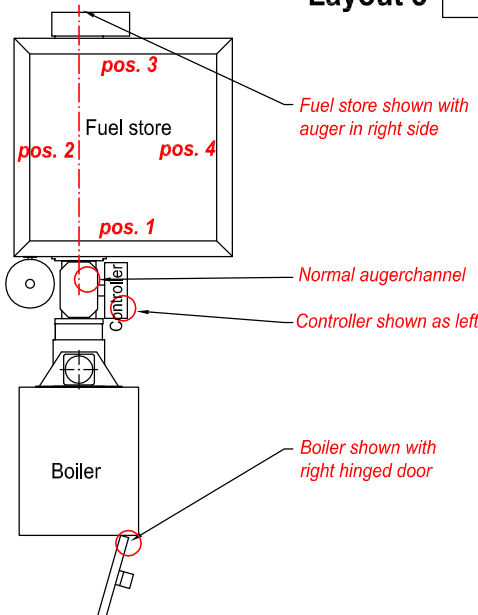
2  4

Augerchannel:

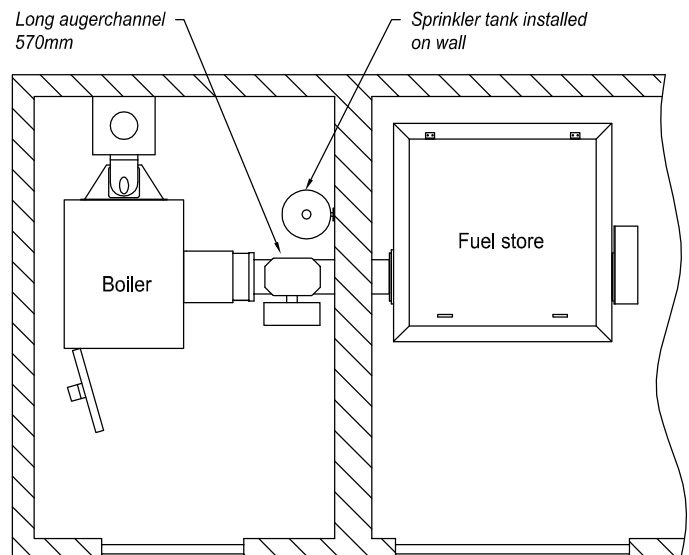
Normal

Long

Layout 3



Example: Boiler with long augerchannel (570mm)



**TWINHEAT**®

We reserve the rights to make changes March 2011