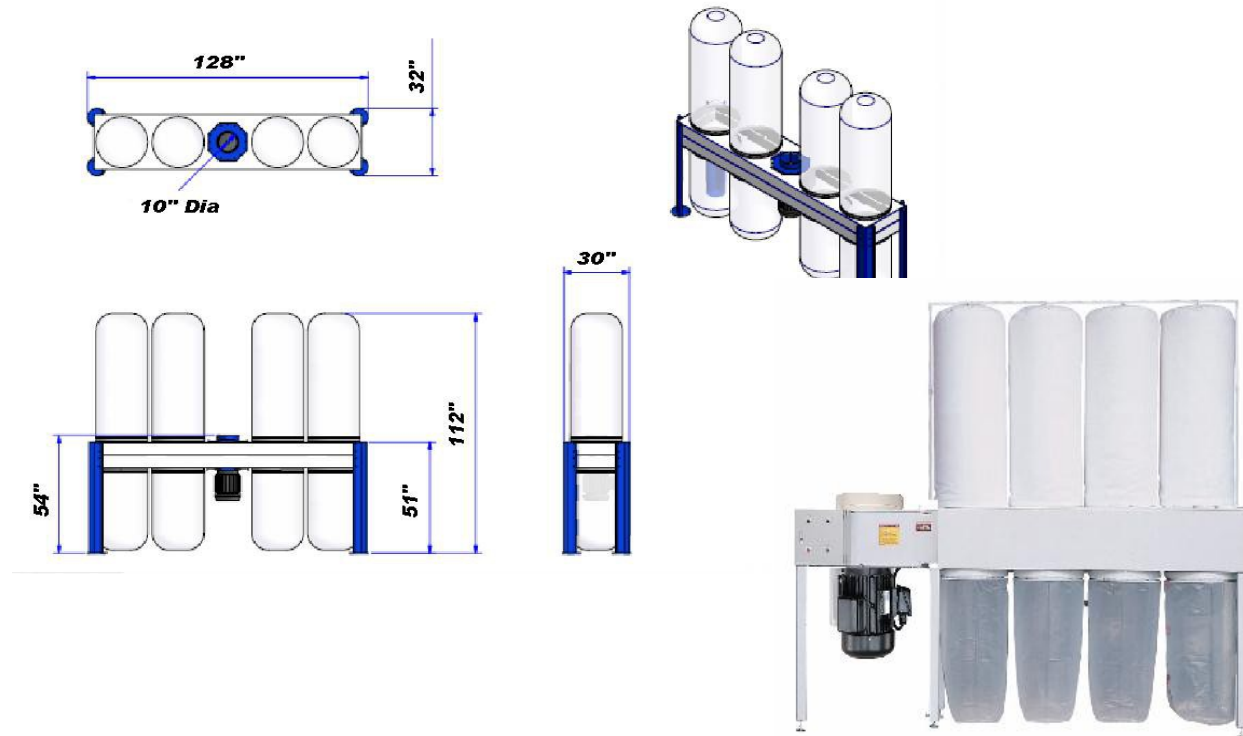




Authorized Dealer:
Global Sales Group, LLC
P.O. Box 1835 * Chico, CA 95927
Toll Free: 877-474-5521
Office: 530-893-2444
www.globalsalesgroupllc.com

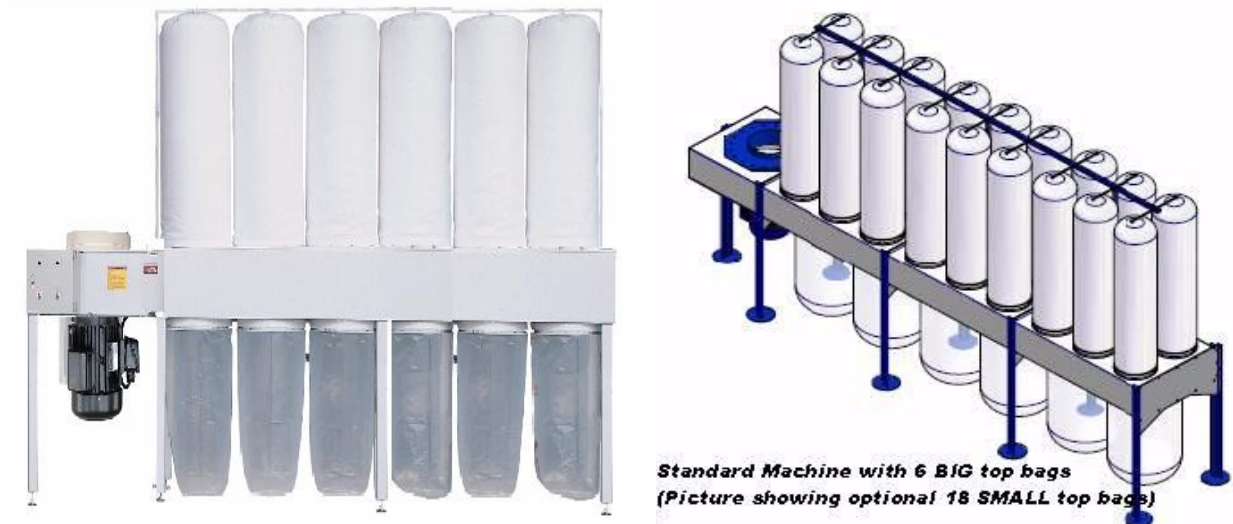


DC-9100 10HP 3PH Dust Collector



DC-9200 20HP 3PH Dust Collector

DC-9250 25HP 3PH Dust Collector



DC-9100 10HP 3PH Dust Collector
DC-9200 20HP 3PH Dust Collector
DC-9250 25HP 3PH Dust Collector

(Training and installation, tooling & rigging are optional)
 (Customer is responsible for local regulations and connecting utilities)

Features:

- Heavy sheet metal frame and base.
- Extra large radial-fin type steel impeller for high efficiency air flow.
- Heavy-duty totally enclosed industrial motor for maximum air suction and extended service life.
- Low sound levels to keep the working area quiet.

SPECIFICATIONS	DC-9100	DC-9200	DC-9250
Motor	10 HP 3 PH	20 HP 3 PH	25 HP 3 PH
Fan Diameter	15"	16"	16"
Static Pressure (INH2O)	23	27	27
Air Capacity (CFM)	5600	7500	8300
Sound Rating (db)	85 ~ 95	85 ~ 95	85 ~ 95
Connection Outlet Pipe Dia.	8"	13"	14"
Top Filter Bag Size (Dia x H)	13.8" x 59"	13.8" x 59"	13.8" x 59"
Top Filter Bag Quantity	10	20	20
Bottom Collect Bag Size	23.6" x 35.5"	23.6" x 35.5"	23.6" x 35.5"
Bottom Collect Bag Quantity	4	6	6
Machine Size	138" x 39" x 120"	181" x 47" x 120"	181" x 47" x 120"
N.W.	1360 LBS	1770 LBS	1960 LBS

Multiple Bag Type (Optional)

