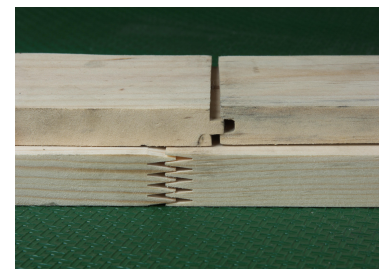
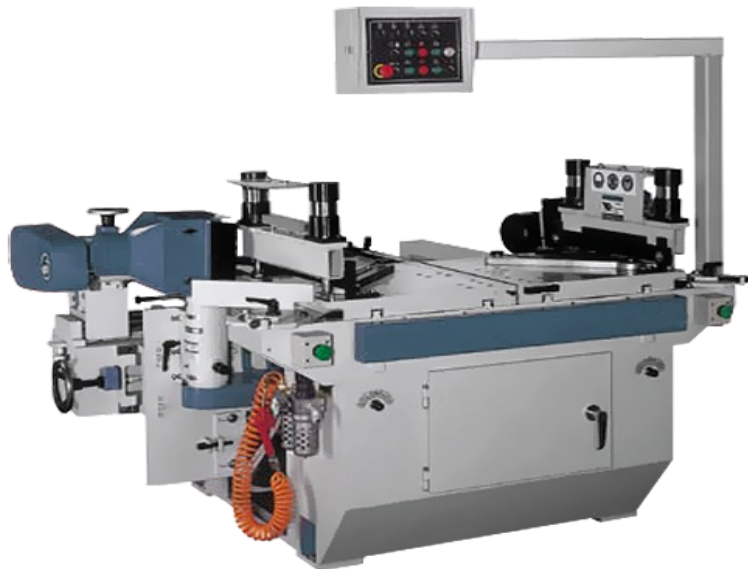




**Authorized Dealer:**  
Global Sales Group, LLC  
P.O. Box 1835 \* Chico, CA 95927  
Toll Free: 877-474-5521  
Office: 530-893-2444  
www.globalsalesgroupllc.com



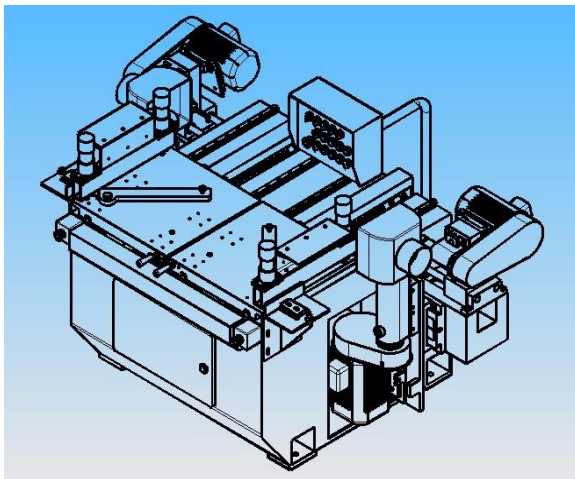
## **CS-4045M Auto End Match Shaper Machine** **CS-4045DR Auto End Match Shaper with Dowel Drill**

### **Features:**

- Fully automatic function, just place the material against the stops, machine will automatically clamp, move in for shaping, come out and release the hold down.
- The 6" high stackable spindle by pneumatic up & down with 3 different quick-change stops are easily and accurately setup for each cutter position.
- Fast, safe and labor saving.
- Table moves from in and out by variable speed pneumatic power to achieve fully cutting power.
- Two tables move in and out separately for tongue and groove, end match application or two tables can be connected together for longer material.
- Rigid construction on the heavy sheet metal frame, cast iron table & base for durability usage.
- Heavy-duty industrial motor is suitable for heavy-duty cutting under full load.
- Linear guide rails and bearings let the operator move the table by lightweight and smoothly to get the long-life usage also.
- Cast iron fence locks in the table groove to finish 45-degree cut easily.
- Twin heavy-duty air pistons hold down the workpieces tightly to the table during the cutting process.

SPECIFICATIONS	CS-4045M	CS-4045DR
Max Cutting Length (left or right)	20"	20"
Max Cutting Length (two table together)	40"	40"
Max Cutting Length (45 degree)	30"	30"
Max Cutting Width	13 ¾"	13 ¾"
Spindle under Nut	4"	4"
Max. Cutter Size	5"	5"
Spindle Diameter	1¼"	1¼"
Spindle Length	6"	6"
Spindle Speed	9000 RPM	9000 RPM
Main Motor	5 HP X 2	5 HP X 2
Drill Motor	N/A	1 HP x 2
Dust Hood	4" X 2	4" X 4
Net Weight	2600 LBS	2800 LBS
Gross Weight	3230 LBS	3460 LBS

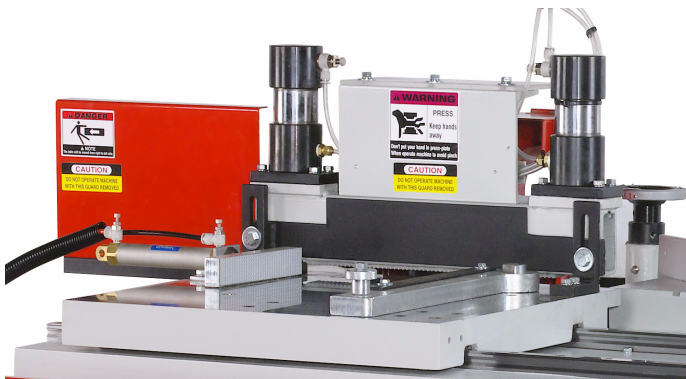
(Training and installation, tooling & rigging are optional)  
 (Customer is responsible for local regulations and connecting utilities)



**CS-4045DR**



**Two sets of controller for use Single Table by itself or Both Tables at the same time**



**Pneumatic Top & Side Hold Down, Swing Fence**



**Quick Adjustable Cutting Variable Speed**