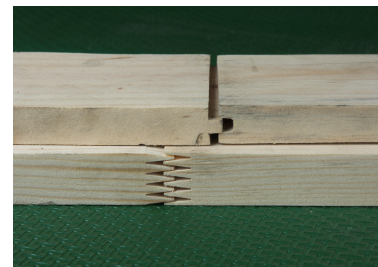




Authorized Dealer:
Global Sales Group, LLC
P.O. Box 1835 * Chico, CA 95927
Toll Free: 877-474-5521
Office: 530-893-2444
www.globalsalesgroupllc.com



CS-2145M Auto End Match Shaper Machine
CS-2145DR Auto End Match Shaper with Dowel Drill



Features:

- Fully automatic cycle function, just place the material against the stops, machine will automatically clamp, move in for shaping, come out and release the hold down.
- CS-2145DR model with two dowel drill stations at each end for making dowel insert holes.
- Fast, safe and labor saving.
- The 6" high stackable spindle by pneumatic up & down with 3 different stops are easily and accurately setup for each cutter position.
- Table moves from right to left by variable speed pneumatic-hydraulic power to achieve the full cutting power.
- Twin tables move in and out separately for tongue and groove, end match application.
- Twin heavy-duty pneumatic pistons hold down the workpieces tightly to the table during the cutting process.
- Rigid construction on the heavy sheet metal frame, cast iron table & base for durability usage.
- Heavy-duty industrial motor is suitable for heavy-duty cutting under full load.
- Linear guide rails and bearings let the operator move the table smoothly.
- Cast iron fence locks in the table groove to finish 45-degree cut easily.

SPECIFICATIONS	CS-2145M	CS-2145DR
Max. Cutting Length	Unlimited	Unlimited
Max. Cutting Width (45 degree)	9"	9"
Max. Cutting Width (90 Degree)	11"	11"
Max. Cutter Diameter	6" Diameter	6" Diameter
Spindle Diameter	1-1/4"	1-1/4"
Spindle Length	7" (Stackable)	7" (Stackable)
Spindle Speed	9000 RPM	9000 RPM
Shaper Spindle Motor	5 HP x 2	5 HP x 2
Dowel Drill Chuck	~	1/2" x 2
Dowel Drill Motor	~	1 HP x 2
Dust Hood	4" x 2	4" x 4
Net Weight	2800 LBS	3200 LBS

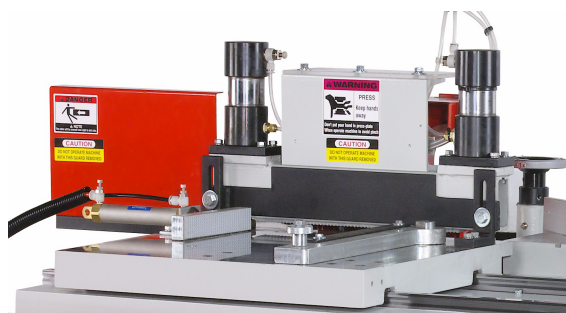
(Training and installation, tooling & rigging are optional)
 (Customer is responsible for local regulations and connecting utilities)



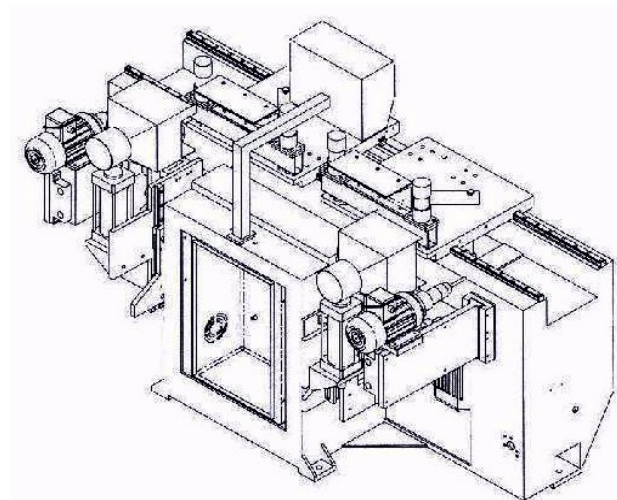
Two set of controller for use Single Table by itself or Both Table at same time



Quick Adjustable Cutting Variable Speed



Pneumatic Top & Side Hold Down, Swing Fence



CS-2145DR with two dowel drill heads